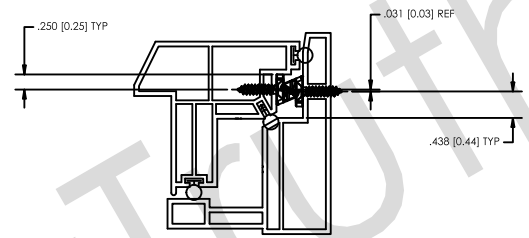
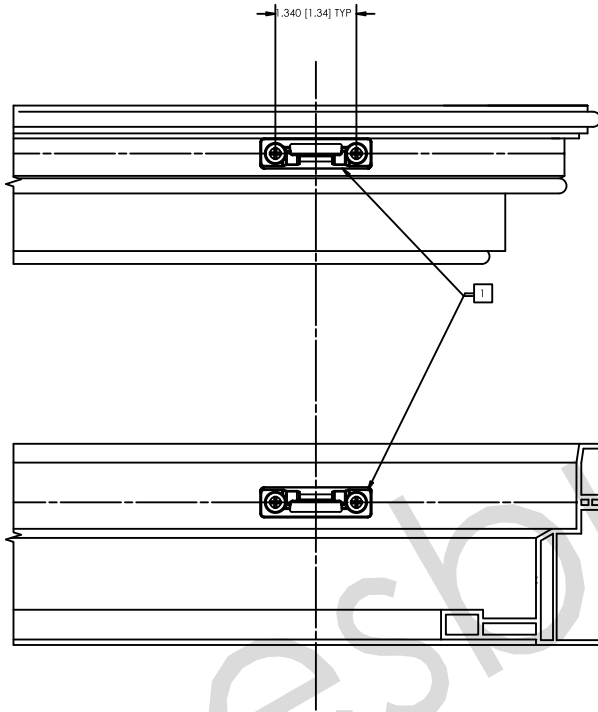


D 11041J

BREAK ALL SHARP EDGES



85.00"	X	X	X	X	X
80.00"	X	X	X	X	X
75.00"	X	X	X	X	X
70.00"	X	X	X	X	X
65.00"	X	X	X	X	X
60.00"	X	X	X	X	X
55.00"	X	X	X	X	X
50.00"	X	X	X	X	X
45.00"	X	X	X	X	X
40.00"	X	X	X	X	X
35.00"	X	X	X	X	X
30.00"	X	X	X	X	X
25.00"	X	X	X	X	X
20.00"	X	X	X	X	X
MINIMUM FRAME HEIGHT	CENTER OF WINDOW				

NEGATIVE(-) & POSITIVE(+) AIR SNUBBER MOUNTING PATTERNS

- NOTES:
1. SNUBBERS EQUALLY SPACED PATTERNS SHOWN IN MATRIX ARE CENTERED ON THE SASH AND FRAME.
  2. CENTER TO CENTER DIMENSIONS FOR SNUBBERS NOT TO EXCEED 18".

ITEM #	PART NO.	QTY	DESCRIPTION
-	19218.92	A/R	#8 X 3/4 FLAT HEAD SHEET METAL SCREW (2 PER SNUBBER)
1	22999.92	A/R	SNUBBER

NO.	REV.	DATE	BY

AMESBURY TRUTH

700 West Bridge Street  
Owatonna, MN 55060  
Telephone 507-451-5620

THE DRAWING CONFORMS TO ANSI Y14.5M • 1992  
PRACTICES ORIGINAL PLOTS ARE STAMPED BY REV.

GENERIC: PVC  
DRAWING NO: 20398R  
SCALE: A  
DATE: D